

Auto34R Tyre Changer

Simple operation and unmatched capability

NEW



Key Features at a Glance

NEW Diameter Control



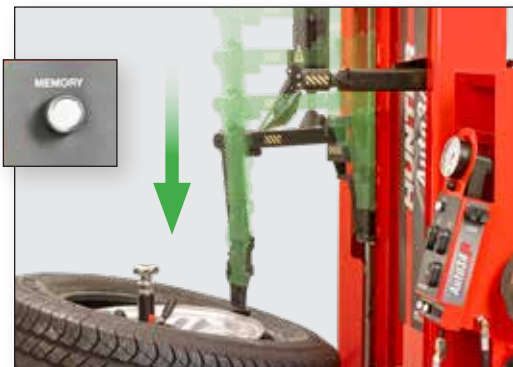
- ✓ Telescoping chassis brings the wheel into position
- ✓ Electrical actuation is smooth and precise

Push-Button Controls



- ✓ Simple, three-button control
- ✓ Easiest operation in its class

Memory Function



- ✓ One button returns mount head to rim height
- ✓ Saves time and mistakes



TCA34R



UPDATED

High Volume Blast Tank

- ✓ High volume blast tank to seat large truck and SUV tyres

PATENTED

Leverless Tool Head



- ✓ Positions bead without levers
- ✓ Prevents damage to tyre and rim
- ✓ Adds operator safety

STANDARD

Wheel Lift



- ✓ Ergonomic, space saving design
- ✓ Easily and safely lift large assemblies

UPDATED

Bead Press Arm



- ✓ Helps mount and demount difficult tyres
- ✓ Center mounted for a tight swing radius for compact footprint

Bead Breaking Rollers



- ✓ Gently loosens bead from rim
- ✓ No rim contact
- ✓ Indents automatically

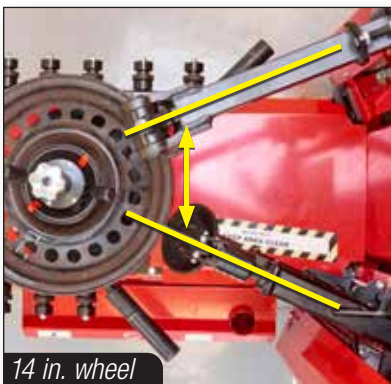
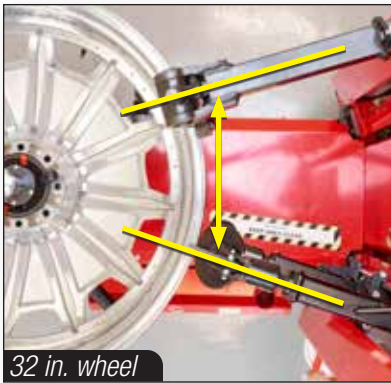
EXCLUSIVE

Wheel Support Plate



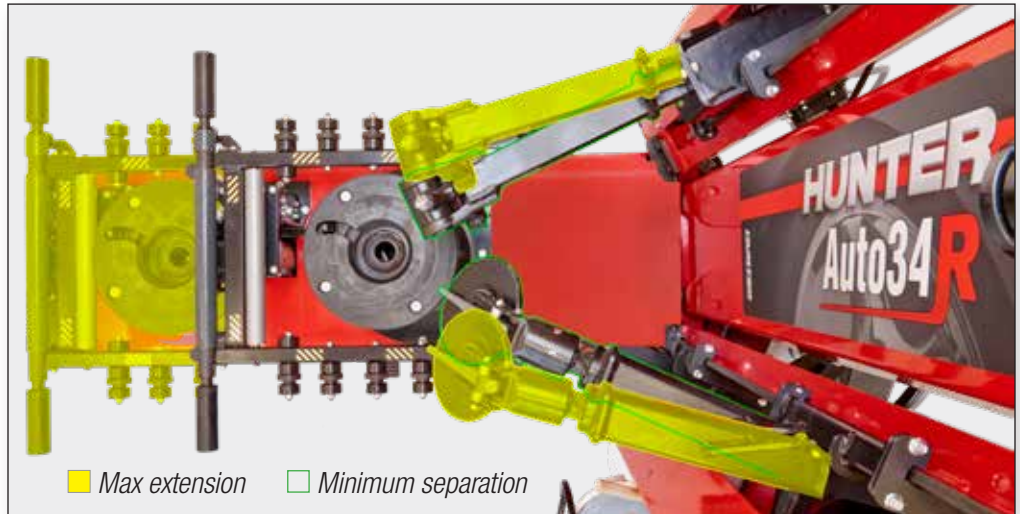
- ✓ Handles wide range of wheels
- ✓ Provides extra gripping force
- ✓ Three adjustable work heights

NEW *Precise Diameter Adjustment*



- ✓ Electric actuator movement is smooth and precise
- ✓ Integrated cams keep rollers and toolhead at the optimal angle for all wheels
- ✓ Reduces mounting forces with perfect alignment of head and rim
- ✓ Adjusts for 10 in. to 34 in. wheels at the press of a button

SEE IT IN ACTION
Scan QR code or visit
www.hunter.com/auto34r



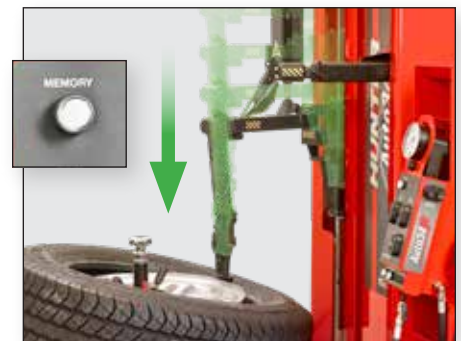
Simple Controls



- ✓ Easy-to-operate, intuitive controls
- ✓ Three switches and one foot pedal control virtually all tyre changing operations
- ✓ Includes manual controls for advanced or special techniques



Inflation, rotation and wheel lift operations are controlled by three foot pedals.



Memory function saves time by returning the mount head to the last position.

PATENTED

Dynamic Leverless Tool Head

Demounting



Tool head inserts into tyre, pulls bead over and demounts in one fluid down/up motion.

Mounting



Thin, broad head alleviates stress on bead, and is durable enough to withstand immense mounting forces.

Versatile Clamping System

- ✓ Adjusts to three working heights
- ✓ Handles wide range of rim diameters
- ✓ Cam action tightens as wheel turns
- ✓ Services reverse and standard wheels in same manner



Comfortable clamp handle reduces fatigue.



Three easily adjustable clamping heights provide the versatility you need.

PATENTED



Cam plate rises to exert additional gripping force.



Rubber insert protects expensive reverse wheels.

Enhanced Features to Make Your Tyre Service Faster and Easier



Bead loosening roller auto-indentation

Sensor detects when roller is under rim flange and automatically indents bead loosening disc.



UPDATED

Bead press arm

Assists with mounting and demounting by pushing the tyre into the drop center.



UPDATED Powerful blast inflation

Directs large blast of compressed air exactly where needed to seat the bead.



Motor & drive

- ✓ Variable RPM offers perfect speed and control
- ✓ High-powered electric motor delivers over 1152 Nm (850 ft-lbs.) of torque

Match-mounting



The Auto34R's bead rollers allow spinning of tyre on rim, helping match-mount stiffest point on tyre to low spot on rim.



When used with Hunter's Road Force Elite®, the Auto34R quickly and easily helps eliminate vibration problems balancers alone can't fix.

Standard Accessories

The Auto34R tyre changer comes equipped to handle virtually all common tyre and wheel combinations.

A	RP6-G1000A138	Quick Clamp
B	RP6-710090480	Pin protector (2)
C	RP6-710012940	Pin extension
D	145-341-2	Air chuck
E	RP6-710090730	Traction bar
F	148-133-2	Lubrication oil
G	179-15-2	Glasses
H	221-659-2	Bead starting tool
I	RP6-3784	Paste
J	RP6-1506	Paste brush
K	RP6-710013421	Support plate cover (2)
L	RP6-710014120	Toolhead (2)
M	RP6-1157	Two-sided cone
N	RP6-G1000A86	Mirror



Optional Accessories



**Flange plate kit
RP6-G1000A87**
Ideal for plastic-faced wheels or reverse wheels where maximum protection is needed.



**19.5-inch wheel adaptor
20-2341-1**
Adds clamping capability for 19.5 in. wheels with large center holes.



**Long pins
RP6-G1000A102**
Allows servicing of reverse wheels with extra deep spokes. For use with flange plate (RP6-G1000A87).



**PAX® Tyre System kit
RP6-G1000A73**
Allows servicing Michelin® PAX® systems.



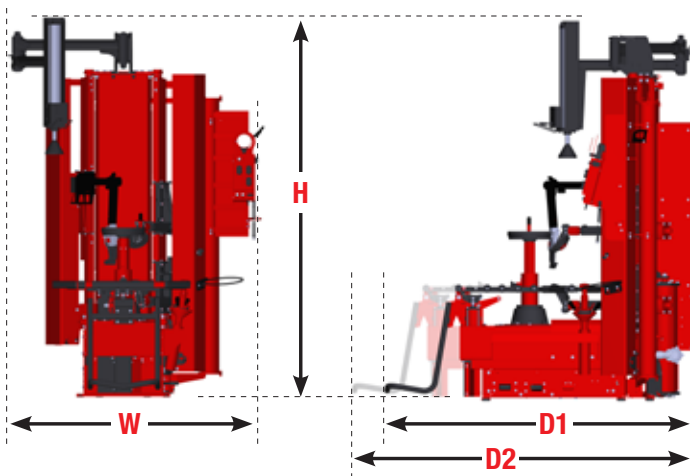
**Basic flange plate kit
RP6-G1000A123**
Ideal for shops that handle plastic-clad wheels without need of reverse applications.

Specifications

Power requirements	208-230V, 6A, 60Hz, 1ph NEMA 20 amp plug, L6-20P
Air supply requirements	8-12 bar (115-175 psi)
Mount / demount tool	Self-inserting, polymer leverless head
Clamping type	Center w/Quick Clamp and cam plate
Bead loosening type	Upper and lower roller
Match-mounting capable	Yes
Adjustable clamping height	Yes
Rim diameter range	10-34 in.
Maximum...	
Tyre diameter	65 in.
Wheel width	19 in.
Drive	Variable up to 14 rpm clockwise, 7 rpm counter clockwise
Torque	1175 Nm (867 ft-lbs)
Shipping weight	531 kg (1172 lbs)
Dimensions	
Height (H)	2067 mm (81 in.)
Width (W)	1494 mm (59 in.)
Depth (D1)	1651 mm (65 in.) – chassis retracted
Depth (D2)	2015 mm (79 in.) – chassis extended



TCA34R



Because of continuing technological advancements, specifications, models and options are subject to change without notice.

0421AH

Copyright © 2021, Hunter Engineering Company

HUNTER
Engineering Company

www.hunter.com

11250 Hunter Drive, Bridgeton, MO 63044, USA

Tel: 1-314-731-3020, Fax: 1-314-731-0132

Email: international@hunter.com

Form CB07864-05, 04/21